



# PLUG & TOUCH BY RODENSTOCK

Fast. High Quality. Affordable.

**AUTO-REF-KERATOMETER  
CX 800**



- Central K-values
- Colour touch screen
- High accuracy
- Pupil + cornea  $\varnothing$  measurement
- High accuracy
- Auto measurement

# QUALITY IN DETAIL



The **Rodenstock Refractor-Keratometers** are an integral part of modern eye diagnostic. Highly accurate measurements combined with the very short examination time and easy handling makes working with the **Rodenstock CX 800** professional and quick. You can operate and align the **CX 800** through the combination of joystick and touch screen – all this in a very short time.

## Colour touch screen

The 5.7" colour touch screen is used as operating monitor as well as for displaying all measured values. All commands can be done via touch screen.

## Pupil + cornea $\varnothing$ measurement

Once you have captured your patients' eye, you can set the pupil and cornea measurement bars to individual diameters. These values will also be stored, displayed and printed.

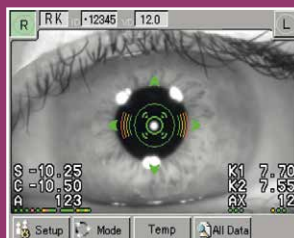
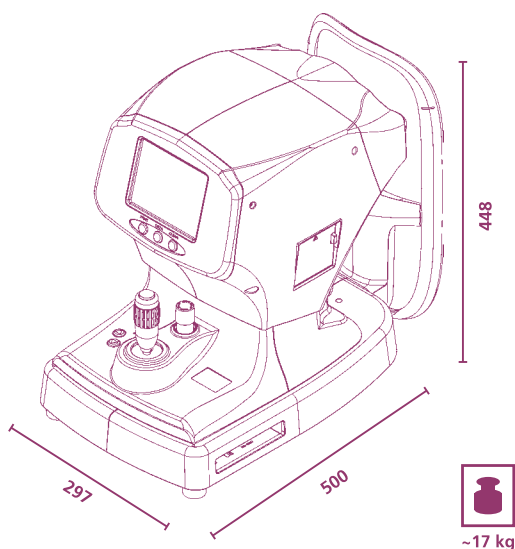
## Auto measurement

The handling of the **CX 800** is very easy. By aligning the optical head towards the patients' eye, the measurement is automatically taken over by the instrument itself.

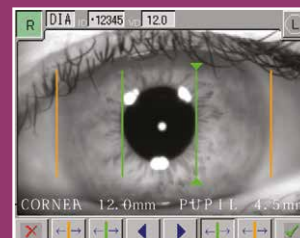
## Central K-values

The **CX 800** provides you with the measured central ( $\varnothing$  3 mm) Keratometer readings within a second. You can take these readings from a cornea or the back surfaces of a RGP contact lens.

## Dimensions



Auto measurement



Pupil & cornea measurement

## SPECIFICATIONS

### Refractive power measurement

#### Spherical refractive power (S)

Measurement range ..... -25.00 D to +22.00 D  
(at VD = 12.0 mm)

Display unit ..... 0.01 D / 0.12 D / 0.25 D

#### Cylindrical refractive power (C)

Measurement range ..... 0 D to  $\pm$ 10.00 D  
(at VD = 12.0 mm)

Display unit ..... 0.01 D / 0.12 D / 0.25 D

#### Astigmatism axial (A)

Measurement range ..... 0° to 180°

Display unit ..... 1°

### Corneal curvature measurement (K1, K2, AVG)

Measurement range ..... 5.00 mm to 11.00 mm / 30.68 D  
to 67.50 D (n=1.3375)

Display unit ..... 0.01 mm

### Corneal astigmatism and axis (C, A)

Measurement range (C) ..... 0 D to 10 D (n=1.3375)

Measurement range (A) ..... 0° to 180°

Measurement area cornea .....  $\varnothing$  3.0 mm  
(at 8.00 mm corneal curvature)

PD range ..... 50 mm to 86 mm

Minimum pupil diameter .....  $\varnothing$  2.0 mm

Vertex distance ..... 0 mm - 16.0 mm

### Main unit

Built-in printer ..... Thermal printer

Output ..... RS 232 C

Display ..... 5.7" colour LCD display

Chin rest..... electr. controlled

### Dimensions & electric Requirements

Dimensions WDH ..... 297 x 500 x 448 mm

Weight ..... Approx. 17.0 kg

Voltage ..... 100 VAC to 240 VAC

Frequency ..... 50/60 Hz

Power consumption ..... 80 VA to 100 VA

2018/11 – subject to change without notice



**RODENSTOCK Instruments**  
 Wiesbadener Straße 21, 90427 Nürnberg, Germany  
 Phone +49 911 938 546 2 777, Fax +49 911 938 546 2 20  
 info@rodenstock-instrumente.com, www.rodenstock-instrumente.com  
 Rodenstock Instruments is a business unit of Tomey GmbH.

