

# Chart Projector CP-40



S e r v i n g   y o u r   v i s i o n



Chart Projector  
CP-40

## A Long-life LED Chart Projector



The light source changed from a conventional electric bulb type to an LED type which decreases CO<sub>2</sub> emissions and also reduces electrical power consumption.

The LED replacement is virtually never needed.



- ★ Now with Log MAR charts, a wider range of test charts are available.
- ★ Vertical, horizontal, and single-character masks are available. Or, it can be fully open.
- ★ Visual acuity values are displayed in the test frame.
- ★ Charts can be changed either with the chart buttons or the arrow buttons on the controller.
- ★ Chart units are sealed and dust-tight, and can be replaced with other units.
- ★ With the friction method, the angle of the main unit can be adjusted vertically and horizontally (tilting up and down, and swinging left and right).
- ★ The controller offers ergonomically aligned buttons.

### TYPE 9 (Standard)

*  0.05	*  0.1 0.15	*  0.2 0.3	0.4 0.5 0.6	0.7 0.8 0.9	1.0 1.2 1.5	*  0.05	*  0.1 0.15
*  0.2 0.3	0.4 0.5 0.6	0.7 0.8 0.9	1.0 1.2 1.5	*  0.1 0.15	*  0.2 0.3	0.4 0.5 0.6	0.7 0.8 0.9
1.0 1.2 1.5	1.0 1.0	*  0.1	*  0.2 0.4	0.5 0.8 1.0			
	P T T P						

Note: The visual acuity charts with the mark "\*" are available only with the open mask.

### TYPE 7 LogMAR Chart

*  1.20 0.05	*  60 0.1 48 0.125	*  38 0.16 30 0.2	24 0.25 19 0.32 15 0.4	12 0.5 9.6 0.63 7.5 0.8	6 1.0 4.8 1.25 3.8 1.6	*  1.20 0.05	*  60 0.1 48 0.125
*  38 0.16 30 0.2	24 0.25 19 0.32 15 0.4	12 0.5 9.6 0.63 7.5 0.8	6 1.0 4.8 1.25 3.8 1.6	*  60 0.1 48 0.125	*  38 0.16 30 0.2	24 0.25 19 0.32 15 0.4	12 0.5 9.6 0.63 7.5 0.8
6 1.0 4.8 1.25 3.8 1.6	6 1.0 6 1.0	*  60 0.1	*  30 0.2 15 0.4	9.6 0.63 7.5 0.8 6 1.0			
	P T T P						

Note: The visual acuity charts with the mark "\*" are available only with the open mask.

### TYPE 8 LogMAR Chart

*  1.20 0.05	*  60 0.1 48 0.125	*  38 0.16 30 0.2	24 0.25 19 0.32 15 0.4	12 0.5 9.6 0.63 7.5 0.8	6 1.0 4.8 1.25 3.8 1.6	*  1.20 0.05	*  60 0.1 48 0.125
*  38 0.16 30 0.2	24 0.25 19 0.32 15 0.4	12 0.5 9.6 0.63 7.5 0.8	6 1.0 4.8 1.25 3.8 1.6	*  1.20 0.05	*  60 0.1 48 0.125	*  38 0.16 30 0.2	24 0.25 19 0.32 15 0.4
12 0.5 9.6 0.63 7.5 0.8	6 1.0 4.8 1.25 3.8 1.6	*  60 0.1	*  30 0.2 15 0.4	9.6 0.63 7.5 0.8 6 1.0			
	P T T P						

Note: The visual acuity charts with the mark "\*" are available only with the open mask.

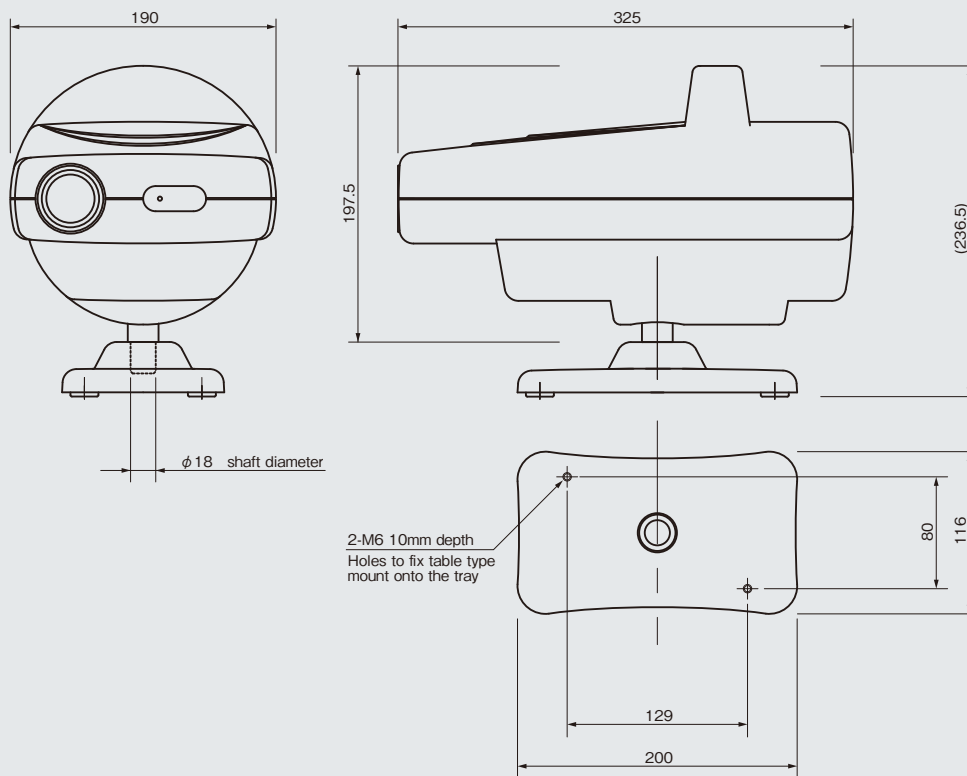


## Specifications

<b>Projecting distance</b>	2.9 - 6.1m
<b>Projection size</b>	240(W) × 216(H)mm φ240mm (When using at a distance of 5m)
<b>Mask</b>	Red/Green filter:1 Horizontal slits:3 Vertical slits:5 Spots:15
<b>Rotating speed of chart disk</b>	0.1 sec/frame, within 0.7 sec. maximum
<b>Rotating speed of mask disk</b>	0.1 sec/frame
<b>Program provided</b>	2 kinds with 31 steps each
<b>Main bulb used</b>	LED
<b>Power Saving</b>	Automatically power off 10 minutes after use
<b>Control</b>	Infrared wireless remote control
<b>Power source</b>	AC100V-AC240V 50/60Hz
<b>Mounts available</b>	Table type, Wall type
<b>Tilting function</b>	Tilts up and down / left and right
<b>Weight</b>	4.1kg



## Dimensions



● Design and specifications are subject to change as improvements are made to the product.

**TAKAGI SEIKO CO.,LTD.**

330-2 IWAFUNE, NAKANO-SHI, NAGANO-KEN, 383-8585, JAPAN  
TEL.+81-269-22-4512 FAX.+81-269-26-6321  
URL:<http://www.takagi-j.com> E-mail:[info@takagi-j.com](mailto:info@takagi-j.com)

