

Slitlamp Microscope 700GL



Serving your vision



LED

Slitlamp Microscope 700GL

Slit lamp with a feeling of being "visible"



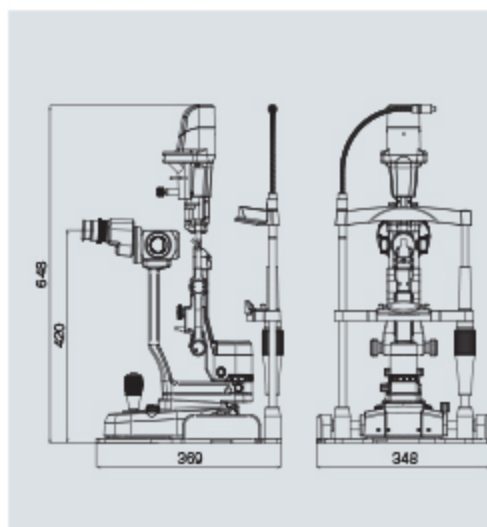
Our relentless pursuit of "visualizing" and our latest evolutionary slit lamp. Slit lamps cannot provide medical treatment, but we cannot talk about ophthalmology without slit lamps.

This slit lamp is the number one performer behind the scenes.

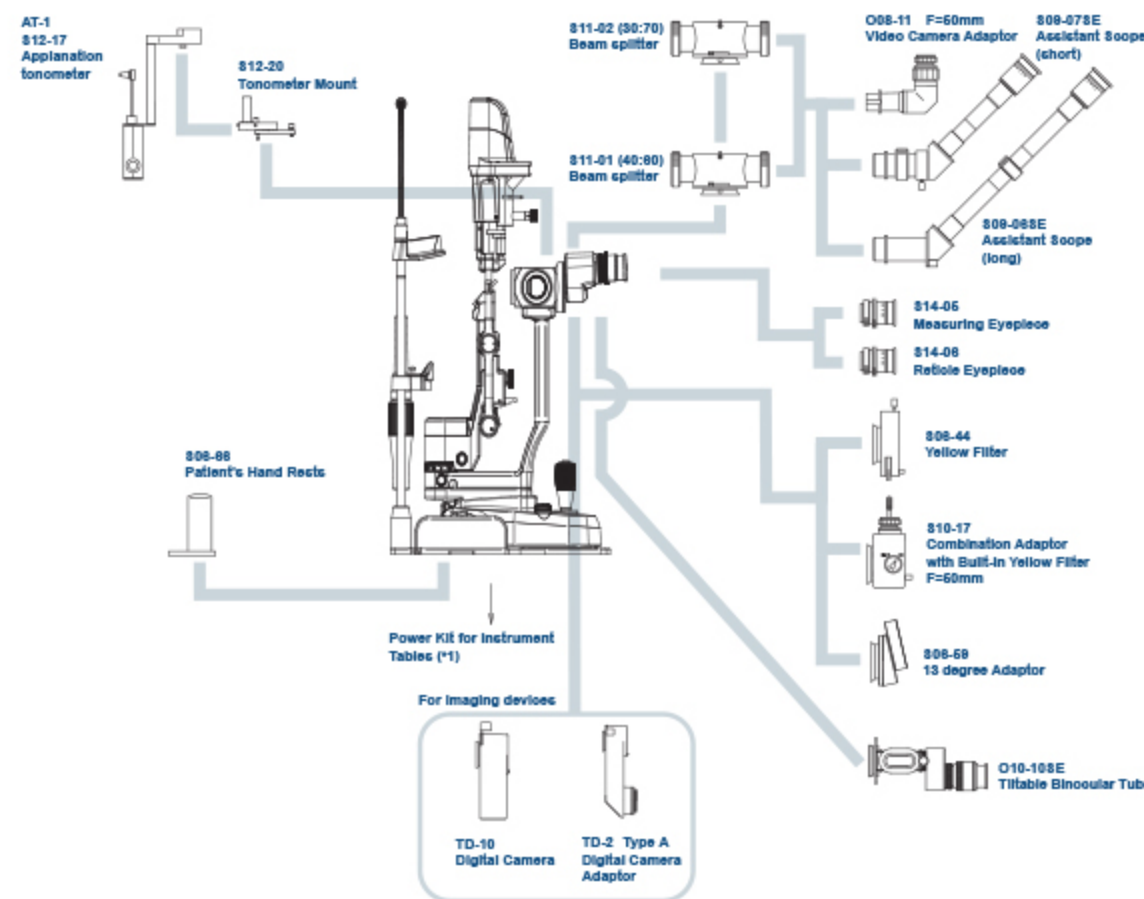
Major Specifications

Microscope	Type	Galilean converging binocular stereomicroscope
	Magnification change	Five-position rotating drum
	Eyepieces	16x wide-field, high-eyepoint
	Total magnification	6.3x, 10x, 16x, 25x, 40x
	Real field of view (diameter)	35.9mm, 23.3mm, 14mm, 8.8mm, 5.5mm
Base Unit	Interpupillary adjustment	52 - 82mm
	Diopter adjustment range	+/- 7 diopters
	Horizontal (coarse) movement	105mm
	Horizontal (fine) movement	15mm
	Vertical movement	30mm
Chinrest Unit	Elevation stroke	85mm
	Slit width	0-14mm continuously variable
Illumination Unit	Aperture diaphragm (diameter)	φ14, φ10, φ5, φ3, φ2, φ1, φ0.2mm
	Filters	Blue filter, Red free filter, Blue correction filter, Yellow filter
	Light source	LED
Power Unit	Power supply	AC100V - 240V (+/- 10%)
	Power consumption	DC5V 2A
Fixation Light Unit	Fixation light source	Red LED
	Weight	12.5Kg

Dimensions



Optional Components



*1: For further information on power kits, contact our Sales Department.

● Design and specifications are subject to change as improvements are made to the product.

TAKAGI SEIKO CO.,LTD.

330-2 IWAFUNE, NAKANO-SHI, NAGANO-KEN, 383-8585, JAPAN
TEL.+81-269-22-4512 FAX.+81-269-26-6321
URL: <http://www.takagi-j.com> E-mail: info@takagi-j.com

